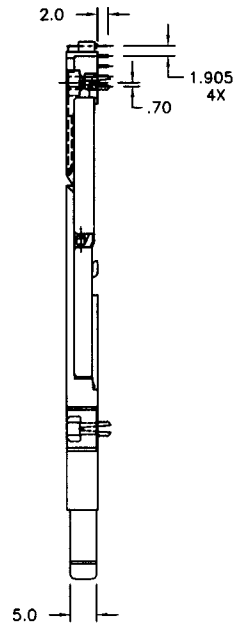
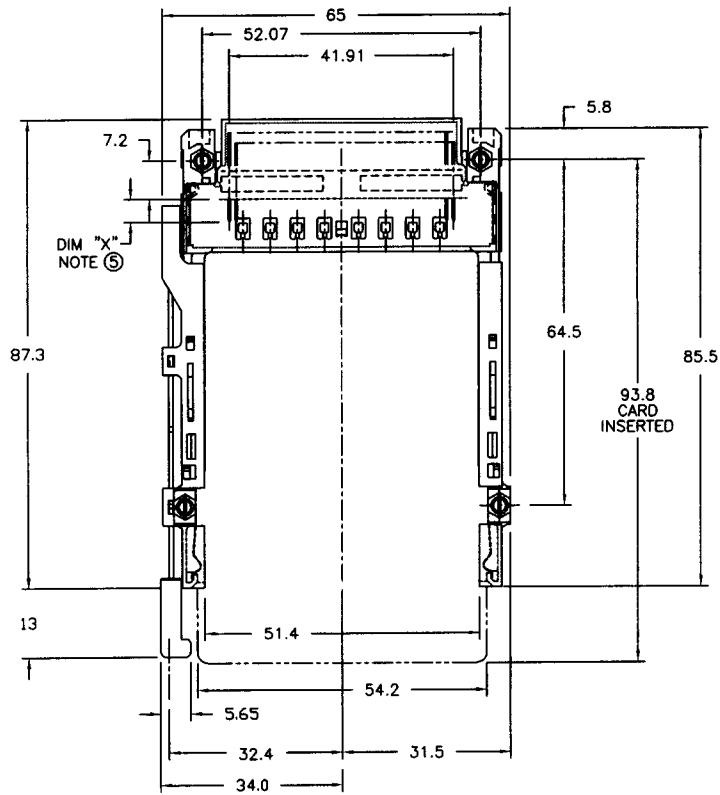


Tous droits strictement réservés. Reproduction ou communication à des tiers interdite sous quelque forme que ce soit sans autorisation écrite du propriétaire.  
 Propriété de ©BERG ELECTRONICS. Droits de reproduction BERG ELECTRONICS INC.

All rights strictly reserved. Reproduction or issue to third parties in any form whatever is not permitted without written authority from the proprietor.  
 Property of ©BERG ELECTRONICS Copyright BERG ELECTRONICS INC.

PRODUCT NO.  
 84618-100CAH



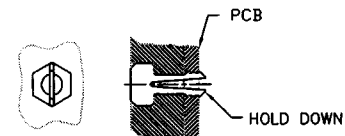
NOTES:

- 1 8mm MIN CARD EJECT.
- 2 PUSH-ROD TRAVEL: 9.5mm
- 3 MATERIAL:
  - 3.1 HEADER ASSY:  
 PLASTIC HOUSING: LCP UL94V-0 BLACK - ABOVE PCB  
 PIN: PHOSPHOR BRONZE
  - 3.2 EJECT MECHANISM ASSY:  
 PLASTIC GUIDE: POLYPHTHARAMID UL94V-0 BLACK  
 PLASTIC PUSH-ROD BUTTON: POLYPHTHARAMID UL94V-0 BLACK  
 COVER PLATE, EJECT PLATE, LINK ARM,  
 PUSH ROD: STAINLESS STEEL  
 EMI CONTACT: PHOSPHOR BRONZE
- 4 FINISH (PIN)  
 UNDER PLATING: 0.5um MIN Ni  
 CONTACT AREA: 0.1um MIN GOLD OVER  
                   0.5um MIN Pd-Ni  
 SOLDER TAIL: 2.5umMIN Sn-Pb

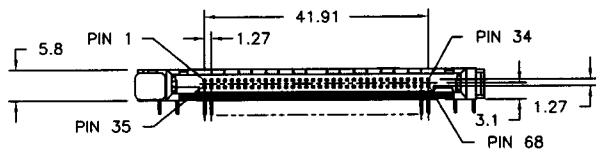
⑤ DIM "X"

4.25±0.1	3.5±0.1	5.0±0.1
OTHERS	36,67	1,17,34,35,51,68

6 SEE SHEET 2 FOR PCB LAYOUT INFORMATION.



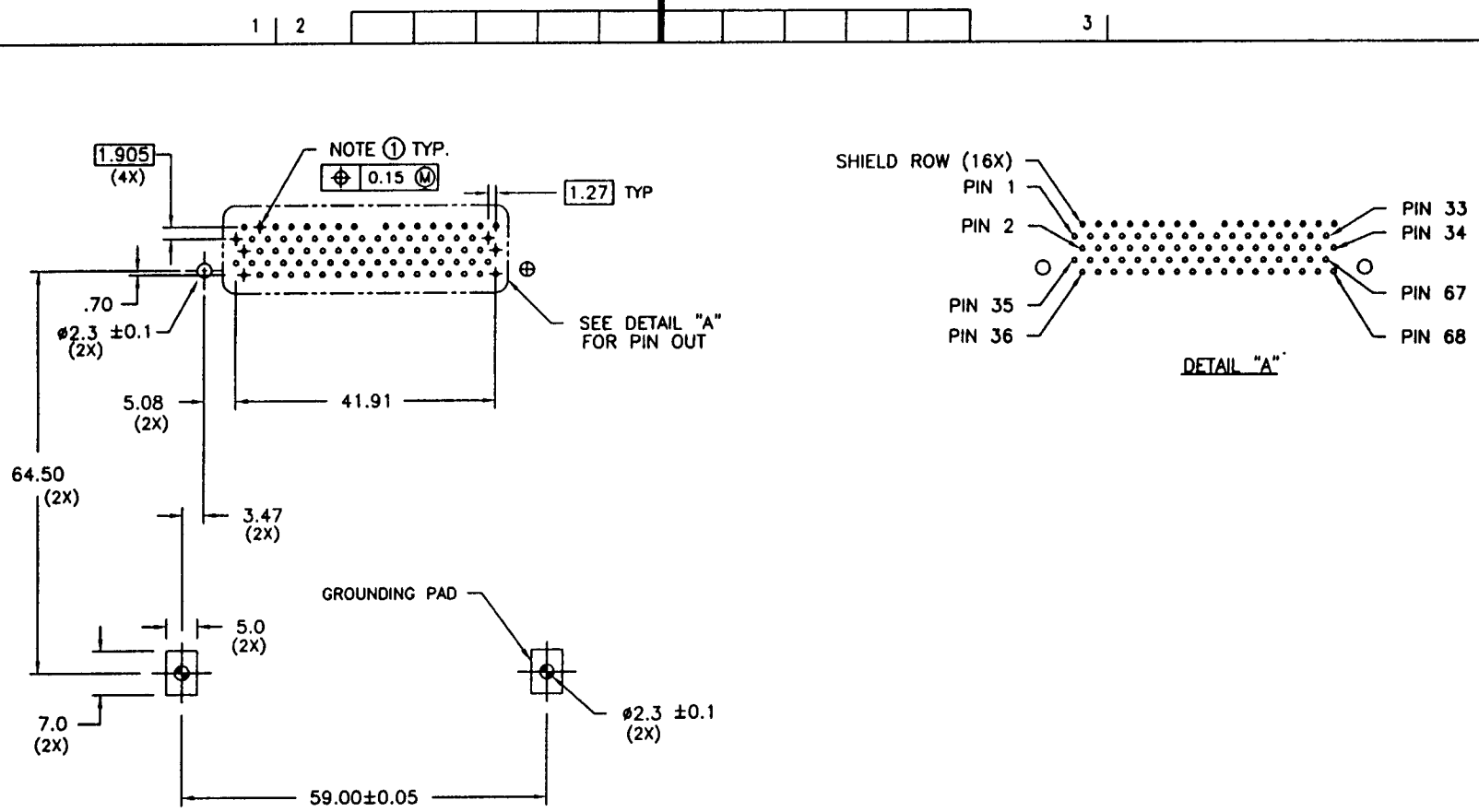
4 PER ASSEMBLY



mat'l. code				tolerances unless otherwise specified		CUSTOMER COPY	<b>BERG ELECTRONICS</b>
ltr	ecn no	dr	date	linear	projection		
A	V80979	RHG	6/9/98	.X ±.3		R/A CARBUS SINGLE DECK ASSEMBLY	product family MCS
B	V81460	RHG	9/2/98	.XX ±.13			
				angles	mm	84618	code
				dr	R.GRAPE	6/9/98	sheet
				engr	D.BRANN	6/9/98	1 of 2
				chr	D.BRANN	6/9/98	
				appd	D.BRANN	6/9/98	
sheet index	revision sheet	B	A	scale		1:1	
		1	2				

Tous droits strictement reserves. Reproduction ou communication o des tiers interdite sous quelque forme que ce soit sans autorisation écrite du propriétaire.  
 Propriete de © BERG ELECTRONICS. Droits de reproduction BERG ELECTRONICS INC.

All rights strictly reserved. Reproduction or issue to third parties in any form whatever is not permitted without written authority from the proprietor.  
 Property of © BERG ELECTRONICS Copyright BERG ELECTRONICS INC.



P.C.B. LAYOUT

NOTES:

- ① RECOMMENDED DIAMETER IS Ø1.0. FOR PROCESSES USING PASTE REFLOW, HOLE MAY BE AS SMALL AS Ø0.79.
- 2 ALL TOLERANCES ±0.15 UNLESS NOTED.

mat'l. code				tolerances unless otherwise specified		CUSTOMER COPY		<b>BERG ELECTRONICS</b>	
ltr	ecn no	dr	date	linear	.X ±.3	projection	title		
A					.XX ±.13		R/A CARDBUS SINGLE DECK ASSEMBLY		
					.XXX ±.051		product family MCS code -		
				angles	0° ±2'	mm	size		sheet
				dr	R.GRAPE 6/9/98		A4		2 of 2
				enr	D.BRANN 6/9/98		84618		
				chr	D.BRANN 6/9/98		scale 1:1		
				appd	D.BRANN 6/9/98				
sheet index	revision sheet								